

CDS

Self Priming Centrifugal Pump

**Super
T SERIES****Model T8A65S-B****Size 8" x 8"**

VARIOUS PATENTS APPLY

**PUMP SPECIFICATIONS****Size:** 8" (203 mm) ASA Flanged Suction x 8" (203 mm) NPT Female Discharge.**Casing:** Stainless Steel CD4MCu.

Maximum Operating Pressure 83 psi (572 kPa).*

Semi-Open Type, Two Vane Impeller: Stainless Steel CD4MCu.

Handles 3" (76,2 mm) Diameter Spherical Solids.

Impeller Shaft: Stainless Steel 17-4 PH.**Replaceable Wear Plate:** Stainless Steel CD4MCu.**Removable Adjustable Cover Plate:** Stainless Steel CD4MCu; 97 lbs. (44 kg).**Seal Plate:** Stainless Steel CD4MCu.**Flap Valve:** Fluorocarbon (DuPont Viton® or Equivalent) w/Stainless Steel Reinforcing.**Bearing Housing:** Stainless Steel CD4MCu.**Radial and Thrust Bearings:** Open Double Row Ball.**Bearing and Seal Cavity Lubrication:** SAE 30 Non-Detergent Oil.**Suction Flange:** Stainless Steel CD4MCu.**Discharge Flange:** Stainless Steel 316.**Gaskets:** Fluorocarbon (DuPont Viton® or Equivalent) and PTFE.**O-Rings:** Fluorocarbon (DuPont Viton® or Equivalent).**Hardware:** Stainless Steel 316.**Pressure Relief Valve:** Stainless Steel 316.**Bearing and Seal Cavity Oil Level Sight Gauges.****Optional Equipment:** Metal Bellows Seal. Automatic Air

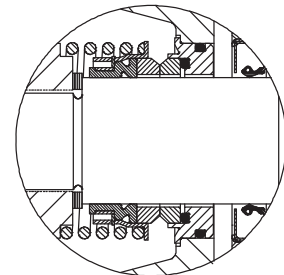
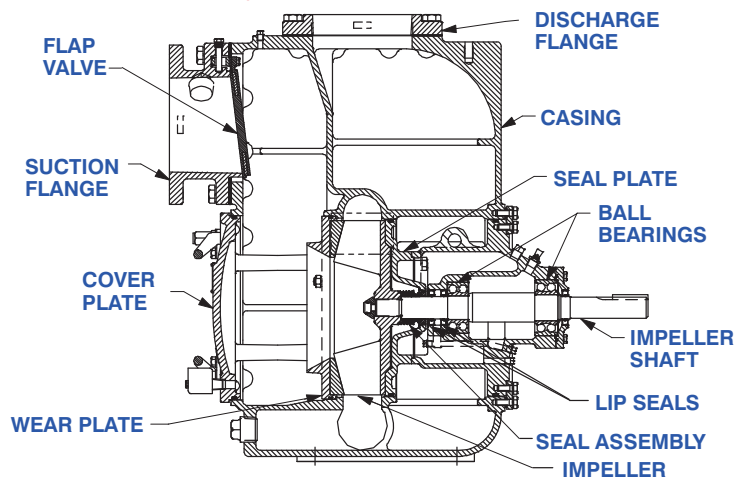
Release Valve. 120V/240V Casing Heater. High Pump

Temperature Shutdown Kit. Self-Cleaning Wear Plate.

Stainless Steel CD4MCu Spool Flanges:

8" ASA Discharge (**Specify Model T8A65S-B /F**).

200 mm DIN 2527 (PN 16) Suction and Discharge

(**Specify Model T8A65S-B /FM**).***Consult Factory for Applications Exceeding Maximum Pressure and/or Temperature Indicated.****Shown with Optional Discharge Spool Flange (Available in ASA or DIN Standard Sizes).****SEAL DETAIL**

Mechanical, Oil-Lubricated, Double Floating, Self-Aligning. Silicon Carbide Rotating and Stationary Faces. Stainless Steel 316 Stationary Seat. Fluorocarbon Elastomers (DuPont Viton® or Equivalent). Stainless Steel 18-8 Cage and Spring. Maximum Temperature of Liquid Pumped, 160°F (71°C).*

**THE GORMAN-RUPP COMPANY • MANSFIELD, OHIO**

GORMAN-RUPP OF CANADA LIMITED • ST. THOMAS, ONTARIO, CANADA

www.grpumps.com

Specifications Subject to Change Without Notice

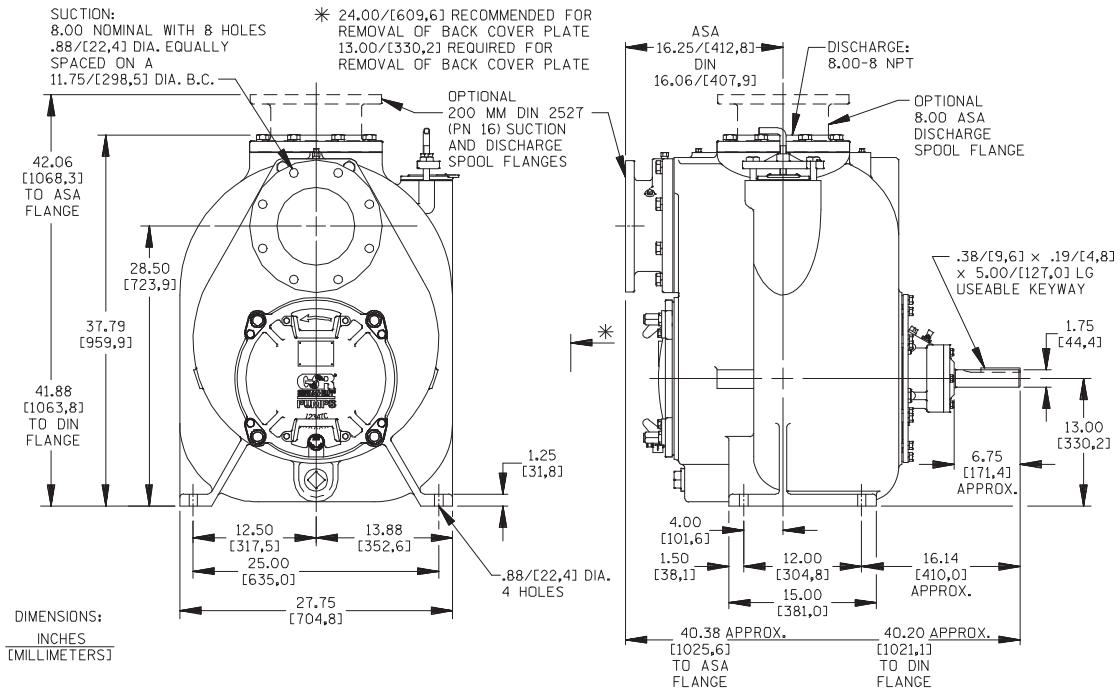
Printed in U.S.A.

Specification Data

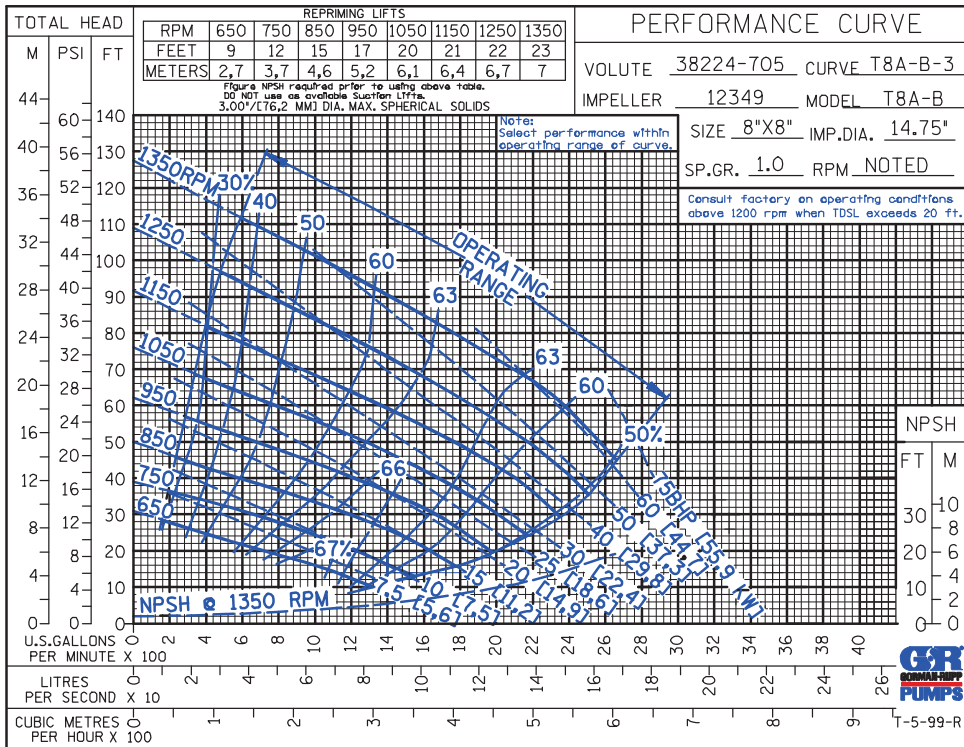
SECTION 55, PAGE 2330

APPROXIMATE DIMENSIONS and WEIGHTS

NET WEIGHT: 1315 LBS. (596 KG.)*
SHIPPING WEIGHT: 1419 LBS. (644 KG.)*
EXPORT CRATE: 47.9 CU. FT. (1,36 CU. M.)
***ADD 40 LBS. (18,1 KG.) W/EACH SPOOL FLANGE**



OPTIONAL ASA OR DIN STANDARD SPOOL FLANGES AVAILABLE



THE GORMAN-RUPP COMPANY • MANSFIELD, OHIO

GORMAN-RUPP OF CANADA LIMITED • ST. THOMAS, ONTARIO, CANADA

Specifications Subject to Change Without Notice

Printed in U.S.A.